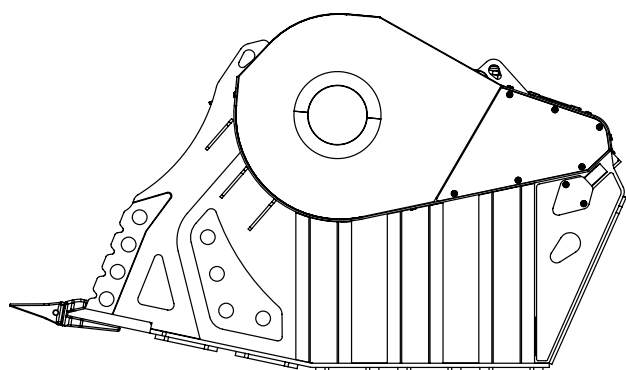
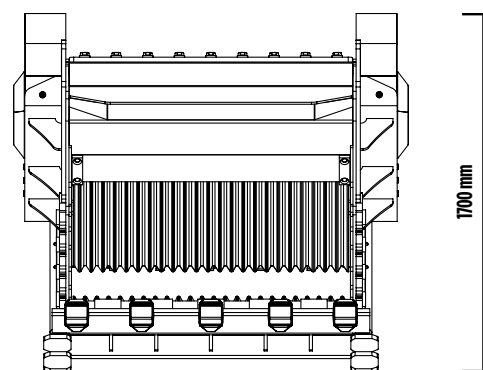


# BF 135.8

**MB**<sup>®</sup>  
THE CRUSHING EVOLUTION



2930 mm



1880 mm

1700 mm



## BF 135.8

The BF135.8 crusher bucket is a resistant and highly productive unit, adapted to the requirements of crushing in quarries, mines, landfills and for all recycling operations on large-scale sites.


## ACCESSORIES

RECOMMENDED SPARE PARTS KIT  
FIX COUPLER  
HOUR METER  
24 MONTHS WARRANTY

## AREAS OF APPLICATION

RECYCLING  
LARGE-SCALE URBAN SITES  
QUARRIES  
MINES  
PIPING  
DEMOLITION

## SPECIFICATIONS

| EQUIPMENT  | LOAD CAPACITY       | OPENING DIMENSIONS | OUTPUT SETTING | DIMENSIONS            |
|--|---------------------|--------------------|----------------|-----------------------|
|  ≥ 43 Ton | 1,60 m <sup>3</sup> | L 1300 H 600 mm    | ≥ 40 ≤ 150 mm  | 2930 x 1880 H 1700 mm |
| OIL FLOW   | PRESSURE            | COUNTER PRESSURE   | WEIGHT         | MAXIMUM PRODUCTION    |
| 320 l/min.   | 250 bar             | 10 bar             | 7,50 Ton       | 88 m <sup>3</sup> /h  |