

BF 90.3 S4

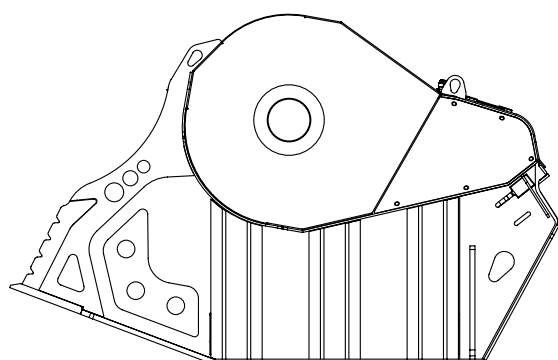
MB

THE CRUSHING EVOLUTION

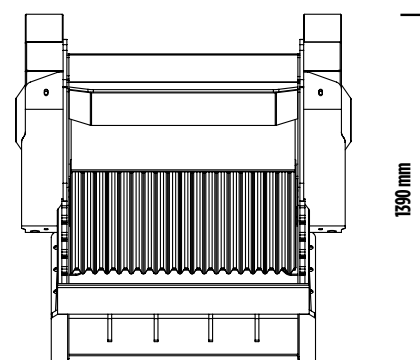
NEW!

+ PRODUCTIVE
 + RELIABLE
 + STRONG

+ BALANCED
 + COMPACT
 + EASY MAINTENANCE



2185 mm



1340 mm

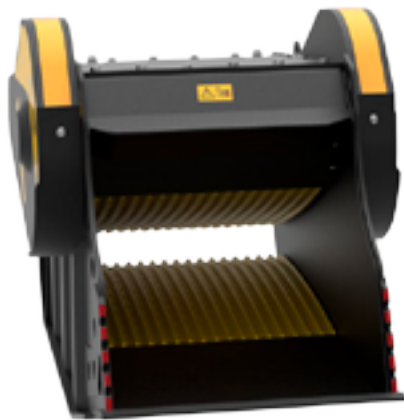
1390 mm

NEW!

FIND OUT
MORE



ENGLISH



BF 90.3 S4

Produced and patented by MB in 2001, the BF90.3 was the first crusher bucket to be made in the world.

Designed to eliminate material friction in the loading phase and to resist even the most difficult conditions on site. The BF90.3 is extremely compact and versatile and has been improved and strengthened over the years.

Suitable for all crushing operations, even the harshest, keeping its performance level with any type of inert material.


ACCESSORIES

- RECOMMENDED SPARE PARTS KIT
- FIX COUPLER
- QUICK FEMALE COUPLER
- IRON SEPARATOR
- HOUR METER
- DUST SUPPRESSION KIT
- 24 MONTHS WARRANTY

AREAS OF APPLICATION

- RECYCLING
- URBAN JOB SITES
- ROAD WORKS
- DEMOLITION
- EXCAVATION
- QUARRIES AND MINES
- FOUNDRY
- TUNNELS AND ENCLOSED SPACES

SPECIFICATIONS

RECOMMENDED EXCAVATOR	LOAD CAPACITY	OPENING DIMENSIONS	OUTPUT SETTING	DIMENSIONS
 ≥ 21 Ton	0,90 m ³	L 910 H 540 mm	≥ 15 ≤ 140 mm	2185 x 1340 H 1390 mm
OIL FLOW	PRESSURE	COUNTER PRESSURE	WEIGHT	MAXIMUM PRODUCTION
180 l/min.	220 bar	10 bar	3,50 Ton	42 m ³ /h