

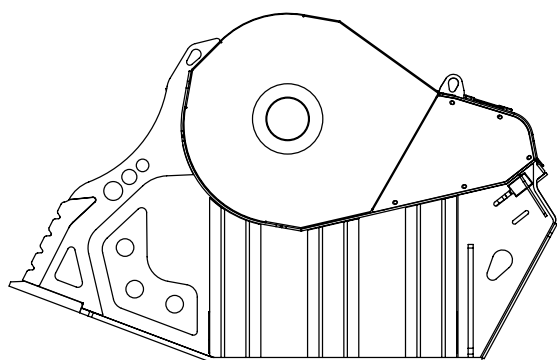
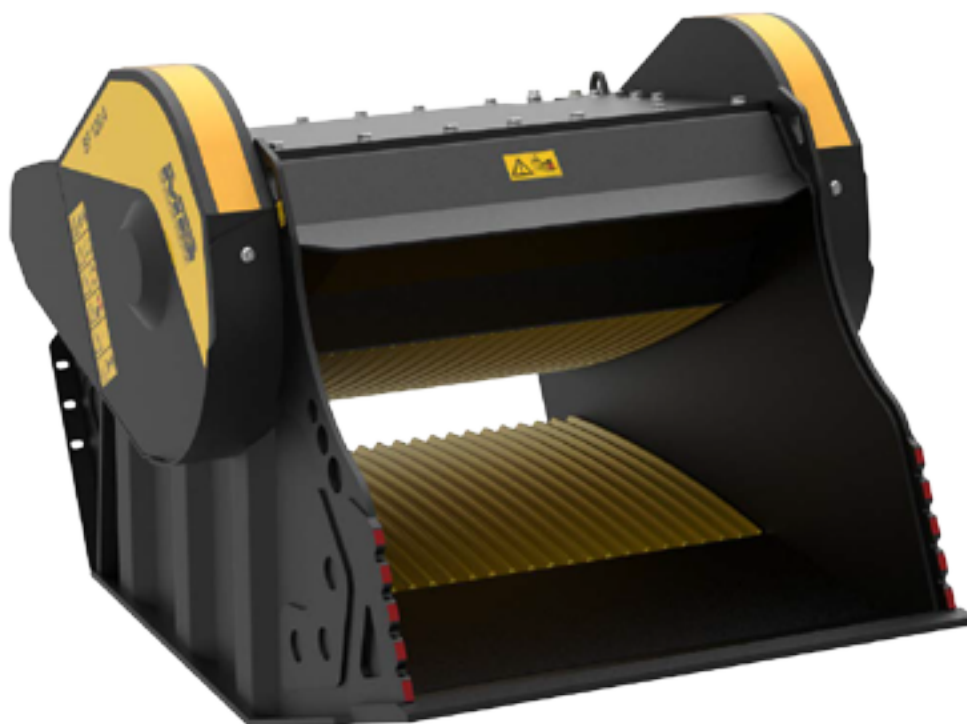
# BF 120.4 S4

**MTB**<sup>®</sup>  
THE CRUSHING EVOLUTION

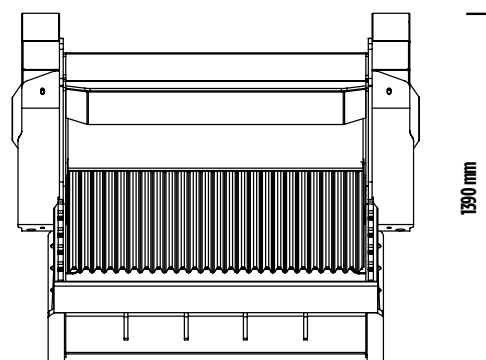
# NEW!

+ PRODUCTIVE  
+ RELIABLE  
+ STRONG

+ BALANCED  
+ COMPACT  
+ EASY MAINTENANCE



2185 mm



1620 mm

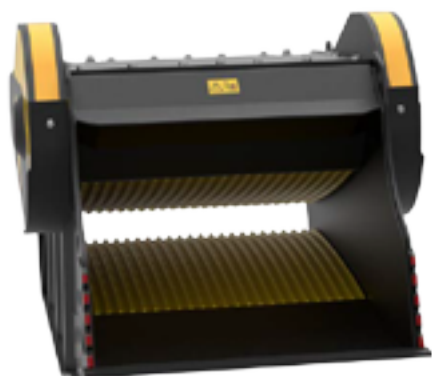
1390 mm

# NEW!

FIND OUT  
MORE



ENGLISH



## BF 120.4 S4

The BF120.4 crusher bucket has been created to satisfy specific requirements of crushing in quarries, landfills and for all operations regarding the recycling of aggregates. It is a versatile and powerful machine which, in the space of just a few years, has established a strong presence in the sector of crushing in large-scale urban and non-urban sites.




## ACCESSORIES

RECOMMENDED SPARE PARTS KIT  
FIX COUPLER  
QUICK FEMALE COUPLER  
IRON SEPARATOR  
HOUR METER  
DUST SUPPRESSION KIT  
24 MONTHS WARRANTY

## AREAS OF APPLICATION

RECYCLING  
LARGE-SCALE URBAN SITES  
ROAD WORKS  
DEMOLITION  
EXCAVATION  
QUARRIES  
MINES  
FOUNDRIES  
PIPING

## SPECIFICATIONS

EQUIPMENT	LOAD CAPACITY	OPENING DIMENSIONS	OUTPUT SETTING	DIMENSIONS
 ≥ 30 Ton	1,30 m <sup>3</sup>	L 1205 H 540 mm	≥ 15 ≤ 145 mm	2185 x 1620 H 1390 mm
OIL FLOW	PRESSURE	COUNTER PRESSURE	WEIGHT	MAXIMUM PRODUCTION
210 l/min.	220 bar	10 bar	4,80 Ton	53 m <sup>3</sup> /h