

BF 80.3 S4

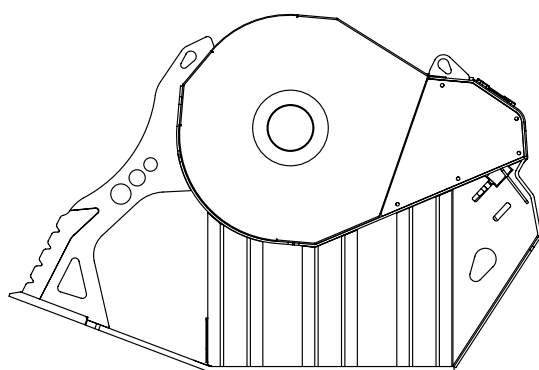
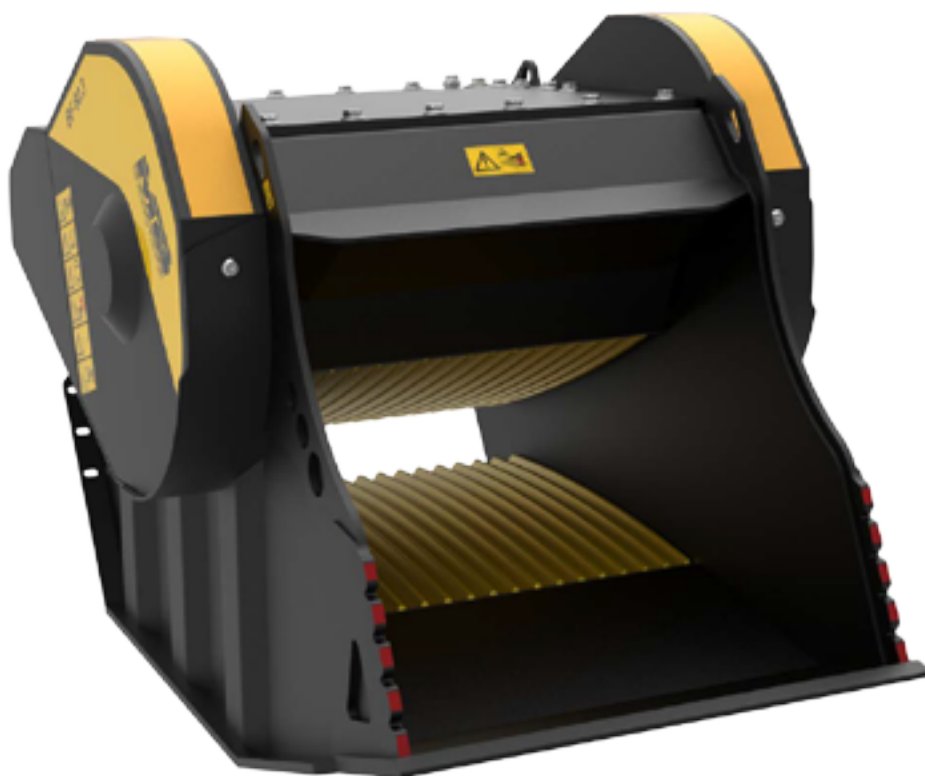
MB[®]

THE CRUSHING EVOLUTION

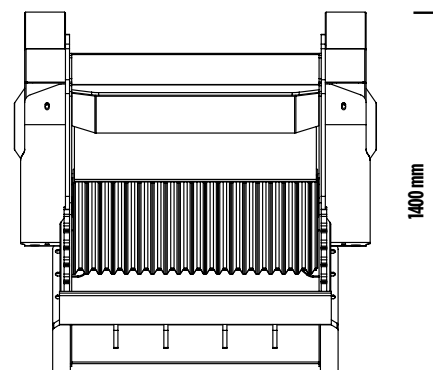
NEW!

- + PRODUCTIVE
- + RELIABLE
- + STRONG

- + BALANCED
- + COMPACT
- + EASY MAINTENANCE



2050 mm



1300 mm

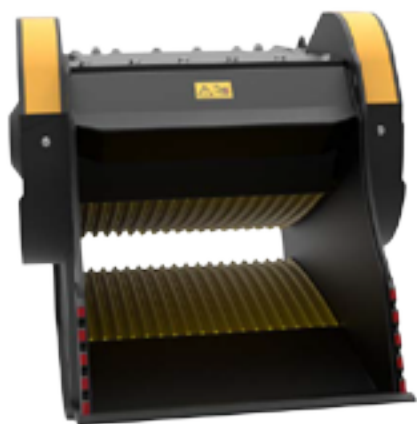
1400 mm

NEW!

FIND OUT
MORE



ENGLISH



BF 80.3 S4

The BF80.3 crusher bucket is compact, versatile and ideal for operations of crushing and recycling, both outside and in enclosed spaces. Its reduced weight and size eases transportation, making it rapid and economical, while maintaining high levels of efficiency and productivity.


ACCESSORIES

- RECOMMENDED SPARE PARTS KIT
- FIX COUPLER
- QUICK FEMALE COUPLER
- IRON SEPARATOR
- HOUR METER
- DUST SUPPRESSION KIT
- 24 MONTHS WARRANTY

AREAS OF APPLICATION

- RECYCLING
- URBAN JOB SITES
- ROAD WORKS
- DEMOLITION
- EXCAVATION
- MINES
- FOUNDRIES
- ENCLOSED SPACES

SPECIFICATIONS

EQUIPMENT	LOAD CAPACITY	OPENING DIMENSIONS	OUTPUT SETTING	DIMENSIONS
 ≥ 18,5 Ton	0,70 m ³	L 850 H 510 mm	≥ 15 ≤ 135 mm	2050 x 1300 H 1400 mm
OIL FLOW	PRESSURE	COUNTER PRESSURE	WEIGHT	MAXIMUM PRODUCTION
160 l/min.	220 bar	10 bar	3 Ton	34 m ³ /h