

# BF 70.2 S4

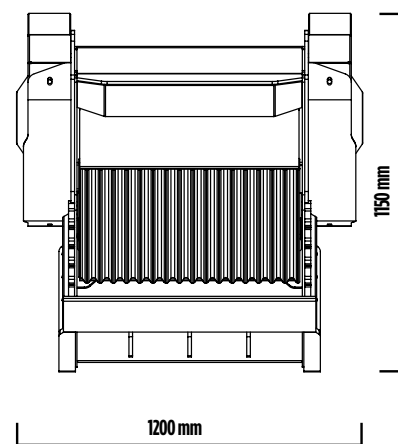
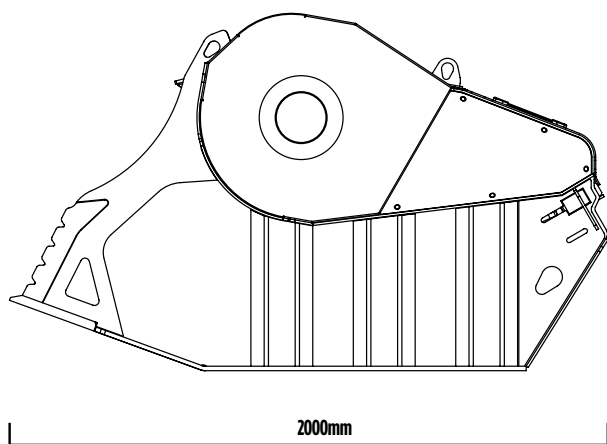
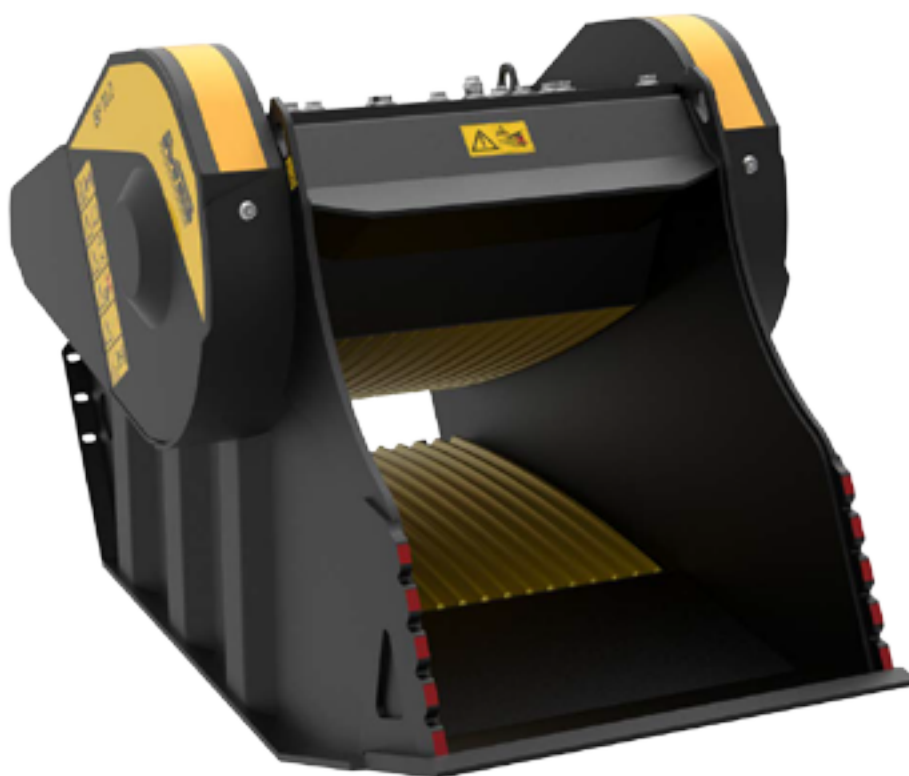
# MTB<sup>®</sup>

THE CRUSHING EVOLUTION

# NEW!

- + PRODUCTIVE
- + RELIABLE
- + STRONG

- + BALANCED
- + COMPACT
- + EASY MAINTENANCE



# NEW!

FIND OUT  
MORE



ENGLISH



## BF 70.2 S4

When a combination of high performance and reduced size and weight is required, the BF70.2 crusher bucket comes into play. Small/medium-scale crushing work and urban sites are the ideal areas of application for this highly-resourceful machine.


## ACCESSORIES

RECOMMENDED SPARE PARTS KIT  
FIX COUPLER  
QUICK FEMALE COUPLER  
IRON SEPARATOR  
HOUR METER  
DUST SUPPRESSION KIT  
24 MONTHS WARRANTY

## AREAS OF APPLICATION

RECYCLING  
URBAN SITES  
ROAD WORKS  
DEMOLITION  
EXCAVATION

## SPECIFICATIONS

EQUIPMENT	LOAD CAPACITY	OPENING DIMENSIONS	OUTPUT SETTING	DIMENSIONS
 ≥ 14 Ton	0,66 m <sup>3</sup>	L 740 H 510 mm	≥ 15 ≤ 130 mm	2000 x 1150 H 1200mm
OIL FLOW	PRESSURE	COUNTER PRESSURE	WEIGHT	MAXIMUM PRODUCTION
140 l/min.	220 bar	10 bar	2,3 Ton	31 m <sup>3</sup> /h