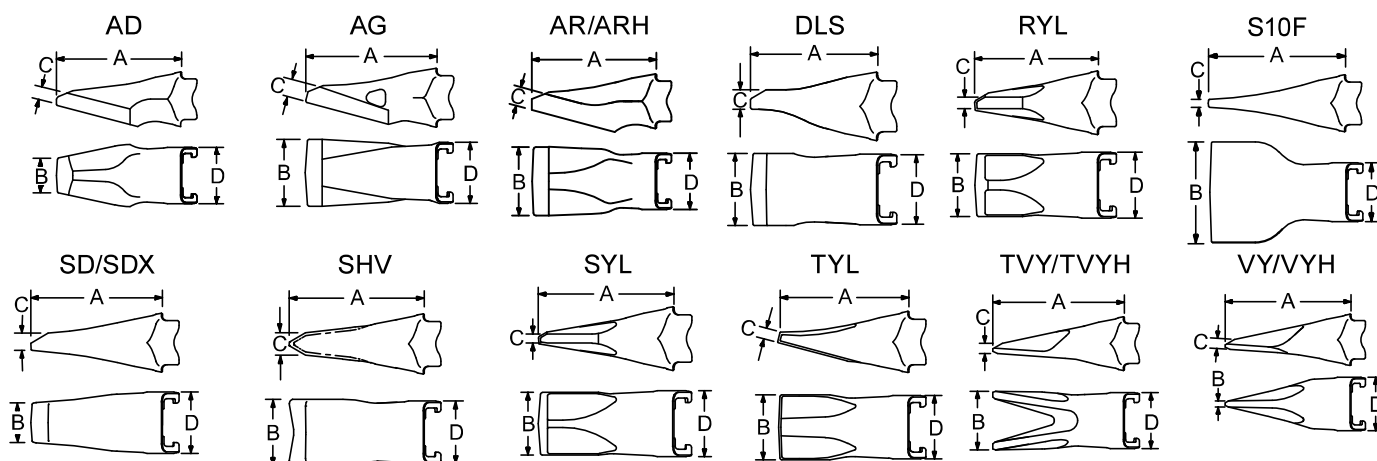


## ESCO SUPER V® TOOTH SYSTEM V51



### V51 Points

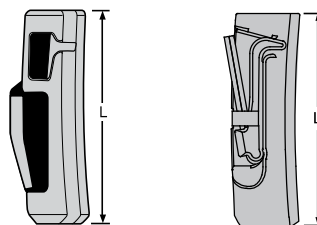
PART ID	DESCRIPTION*	A	B	C	D	WEIGHT
		LENGTH	BIT WIDTH	BIT THICKNESS	WIDTH AT EARS	
		mm / in	mm / in	mm / in	mm / in	kg / lb
V51AD	Abrasion Penetration NCL	330 / 13.00	92 / 3.62	38 / 1.48	150 / 5.91	22 / 48
V51AG	Abrasion Heavy NCL	321 / 12.62	165 / 6.50	43 / 1.70	150 / 5.91	22 / 48
V51AR	Abrasion Rock NCL	330 / 13.00	184 / 7.25	48 / 1.88	150 / 5.91	28 / 61
V51ARH	Abrasion Rock Heavy NCL	330 / 13.00	184 / 7.25	57 / 2.25	155 / 6.12	34 / 75
V51DLS	Dragline Special NCL	270 / 10.62	152 / 6.00	41 / 1.61	150 / 5.91	17 / 38
V51RYL	Standard Rock CL	279 / 11.00	140 / 5.50	30 / 1.20	150 / 5.91	15 / 34
V51S10F	Flare CL	347 / 13.68	254 / 10.00	21 / 0.83	150 / 5.91	23 / 50
V51SD	Chisel CL	335 / 13.20	79 / 3.12	23 / 0.90	150 / 5.91	17 / 37
V51SDX	Chisel Heavy CL	324 / 12.75	98 / 3.85	43 / 1.70	150 / 5.91	19 / 41
V51SHV	Penetration Abrasion CL	326 / 12.82	159 / 6.25	54 / 2.12	150 / 5.91	22 / 48
V51SYL	General Purpose Long CL	307 / 12.10	140 / 5.50	25 / 1.00	150 / 5.91	16 / 35
V51TVY	Twin Pick NCL	356 / 14.00	159 / 6.25	21 / 0.83	150 / 5.91	16 / 35
V51TVYH	Twin Pick Heavy NCL	322 / 12.69	158 / 6.21	29 / 1.16	149 / 5.88	17 / 37
V51TYL	General Purpose NCL	307 / 12.07	152 / 6.00	17 / 0.66	150 / 5.91	19 / 42
V51VY	Pick NCL	356 / 14.00	19 / 0.73	21 / 0.83	150 / 5.91	13 / 29
V51VYH	Pick Heavy NCL	322 / 12.69	20 / 0.78	33 / 1.28	149 / 5.88	15 / 33

\*CL: Centerline Design; NCL: Non-Centerline Design

### Locking Pins

PART ID	DESCRIPTION	L LENGTH	WEIGHT
		mm/in	kg/lb
V51HPN	Super V Pin Hot Slag	111 / 4.38	.41 / .9
V51PN	Super V Pin Assy	111 / 4.38	.43 / .94

### V51 Standard Pin V51 Hot Slag Pin

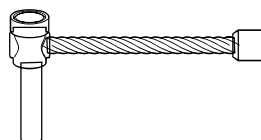


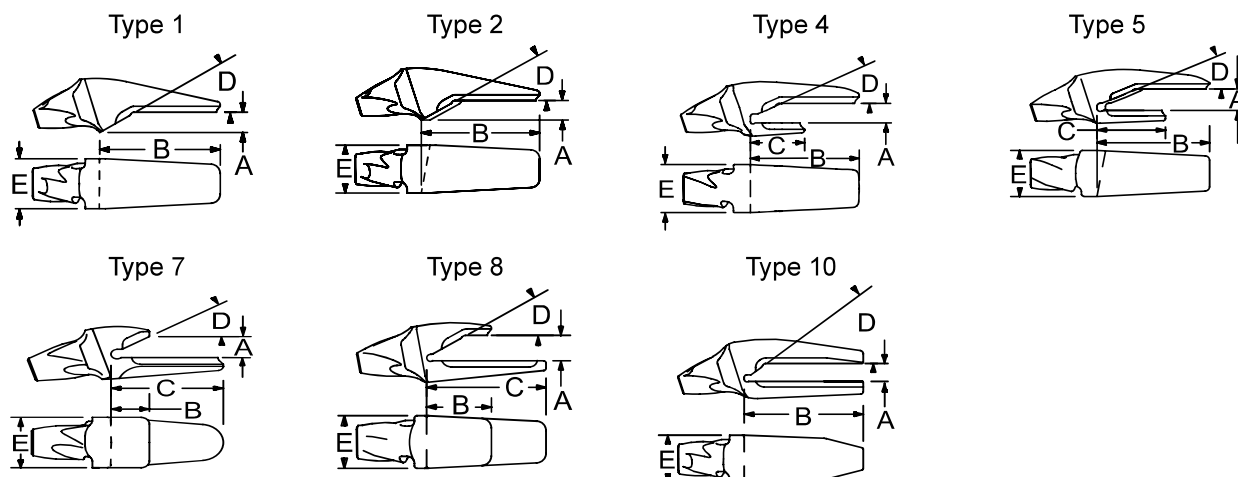
### Pin Rebuild Kits

PART ID	COMMENTS	WEIGHT
		kg/lb
V51-59TR/KIT	STD TAKE-UP REBUILD F/10 PINS	.6 / 1.3
V51HR/KIT	HOT SLAG KIT FOR 10 PINS	.7 / 1.5
V51LR/KIT	STD LOCK REBUILD KIT F/10 PINS	.6 / 1.3

### Pin Removal Tool

PART ID	DESCRIPTION	WEIGHT
		kg/lb
V39-V61RT-1	Pin Removal Tool	2.6 / 5.6



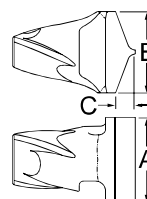


### Weld-on Adapters

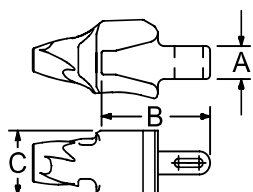
PART ID	TYPE	DESCRIPTION	A LIP THICKNESS mm/in	B TOP LEG mm/in	C BOTTOM LEG mm/in	D RAMP ANGLE deg	E ADAPTER WIDTH mm/in	NOSE ANGLE deg	WEIGHT kg/lb	MACHINE TYPE
<b>Excavator</b>										
5857A-V51	8	1-1/2 Bottom Leg	64 / 2.50	164 / 6.44	302 / 11.88	30	140 / 5.50	10	28 / 61	EXC
8801-V51	4	1-1/2 Top Leg	51 / 2.00	299 / 11.78	153 / 6.03	30	140 / 5.50	10	27 / 60	EXC
3811-V51	4	1-1/2 Top Leg	60 / 2.38	299 / 11.78	153 / 6.03	30	140 / 5.50	10	28 / 62	EXC
3858-V51	4	1-1/2 Top Leg	70 / 2.75	299 / 11.78	153 / 6.03	30	140 / 5.50	10	29 / 64	EXC DEMAG H55
<b>Wheel Loader</b>										
4831A-V51	10	2 Leg	51 / 2.00	330 / 13.00	330 / 13.00	38	140 / 5.50	17	40 / 88	HOT SLAG
1852-V51	1	Flushmount	57 / 2.25	314 / 12.37	N/A	30	140 / 5.50	17	32 / 70	FEL
1853LA-V51	2	Flushmount Spade	57 / 2.25	315 / 12.42	N/A	30	140 / 5.50	17	33 / 73	FEL
1853RA-V51	2	Flushmount Spade	57 / 2.25	315 / 12.42	N/A	30	140 / 5.50	17	30 / 67	FEL
5870A-V51	4CN	1-1/2 Top Leg Straddle/Corner	64 / 2.50	318 / 12.50	128 / 5.03	25	146 / 5.75	17	35 / 78	LOADMASTER WA700
8813A-V51	4	1-1/2 Top Leg	64 / 2.50	320 / 12.61	195 / 7.68	22-25	140 / 5.50	17	33 / 72	LOADMASTER WA700 / CAT 990
8813LA-V51	5	1-1/2 Top Leg Spade	64 / 2.50	320 / 12.61	195 / 7.68	22-25	140 / 5.50	17	33 / 73	LOADMASTER WA700 / CAT 990
8813RA-V51	5	1-1/2 Top Leg Spade	64 / 2.50	320 / 12.61	195 / 7.68	22-25	140 / 5.50	17	33 / 73	LOADMASTER WA700 / CAT 990
<b>Misc</b>										
8871-V51	7	Bottom Leg	95 / 3.75	89 / 3.5	275 / 10.83	38.6	140 / 5.50	11.3	27 / 60	BUCKET WHEEL EXC

### Weld-on Nose

PART ID	DESCRIPTION	A WIDTH mm/in	B HEIGHT mm/in	C J-GROOVE mm/in	WEIGHT kg/lb
WN-V51	Weldon Nose	140 / 5.50	165 / 6.50	37 / 1.47	16 / 34



### Type 31



### Horn Adapters

PART ID	TYPE	DESCRIPTION	A SHANK HEIGHT mm/in	B SHANK LENGTH mm/in	C WIDTH mm/in	WEIGHT kg/lb	SPOOL ID	WEDGE ID*	LIP SERIES	WEARCAP	MACHINE TYPE
158-V51	31	Horn Style	78 / 3.06	255 / 10.05	152 / 6.00	34 / 76	58SPB	58W1 OR 58W2	C58	N/A	BACKHOE